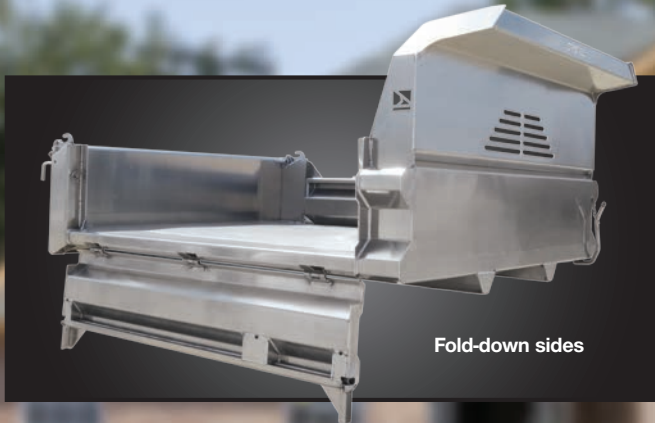




A-TIPPER

ALUMINUM DUMP BODY





Crysteel Custom Cabshield

ALUMINUM A-TIPPER

The Crysteel A-Tipper is designed for contractors and municipalities that need strength, durability and lightweight efficiency.

The Crysteel aluminum A-Tipper features a modern aerodynamic design, providing contractors corrosion resistance and lower maintenance costs in a long lasting, durable aluminum body. The A-Tipper is designed to improve productivity with features that include lightweight fold-down sides for easy access loading and unloading.

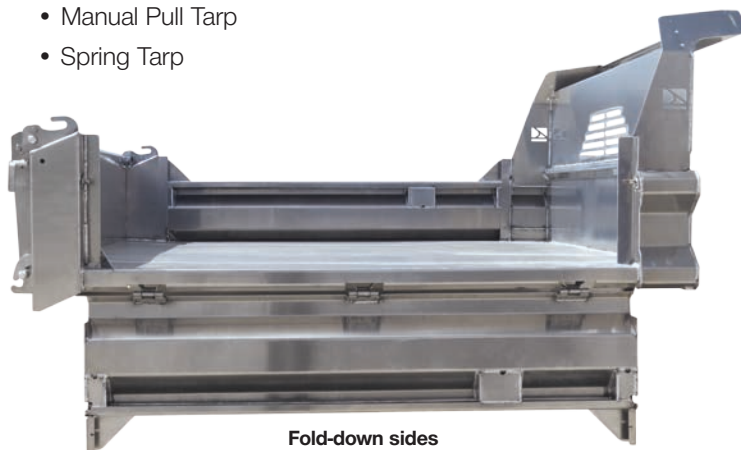
The A-Tipper also comes with the all-new, positive independent locking latch that allows users to easily drop the tailgate, spread-through, or simply remove. Weighing up to 50% less than traditional carbon steel dump bodies, aluminum's lightweight profile saves fuel costs, as well as tire and brake costs, while increasing payload capacity. Plus, for every 10% reduction in vehicle weight, there is a 5-7% increase in fuel economy.

Standard Features

- New lightweight design
- New single panel tailgate with Crysteel's exclusive, independent upper tailgate latching
- 3/16" 5052 Aluminum construction
- Rigid sides with single panel reverse bend
- Fold-down sides with single panel reverse bend
- Crossmemberless understructure, 8" longills C8-6061-T6 Aluminum
- 3/16" 6061-T6 Aluminum floor
- 1/4" Integral tapered cabshield with front V-brace
- Tarp mounting provisions and integrated receivers
- 6" board pockets
- LED lighting with one-piece wiring harness
- Crysteel decaling laser-cut into the cabshield

Standard Options

- Quick Install
- Manual Pull Tarp
- Spring Tarp



Fold-down sides

Lo-Boy Hoists

Time-tested and field-proven Lo-Boy hoists include a full-length subframe for added strength. Each model is specifically designed to fit between the body longbeams for lower mounting heights and a lower center of gravity.



Recommended Hoist
Lo-Boy® 510

BODY SPECIFICATIONS	3-4 YARD RIGID		3-4 YARD FOLD-DOWN SIDES	
Body Length	9'4"	11'4"	9'4"	11'4"
Front Height (in)	40	40	40	40
Side Height (in)	16	16	16	16
Tailgate Height (in)	22	22	22	22
Body Width (in)	87 inside 96 outside	87 inside 96 outside	87 inside 96 outside	87 inside 96 outside
Body Only Weight (lbs)	640	780	800	975*
Body & Hoist Weight (lbs)	1,215	1,305	1,325	1,500*

*Body weights are estimated



CRYSTEEL MANUFACTURING, INC.

Lake Crystal, MN • 1-800-533-0494 • FAX 507-726-2559
www.crysteel.com • E-mail sales@crysteel.com

a **TBEI** company
TRUCK BODIES & EQUIPMENT INTERNATIONAL, INC.

Sold by:

Every body and hoist is backed by Crysteel's industry-leading **5-year Customer Satisfaction Pledge.**

For more information on Crysteel's 5 Year Warranty, please ask your Crysteel Distributor or visit us at www.crysteel.com.

