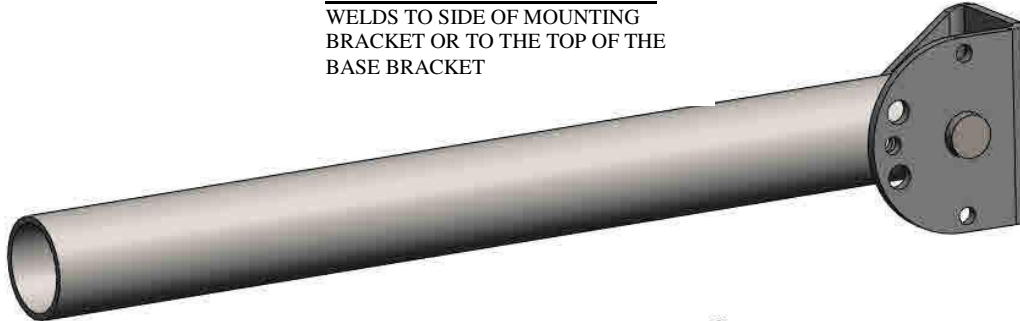


BODY PROP KIT – 1323169

PIVOT LEG ASSEMBLY

WELDS TO SIDE OF MOUNTING BRACKET OR TO THE TOP OF THE BASE BRACKET



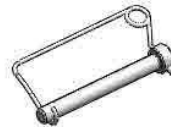
PIPE BULLET

WELDS TO BOTTOM OF FLOOR OR TOP OF BASE BRACKET



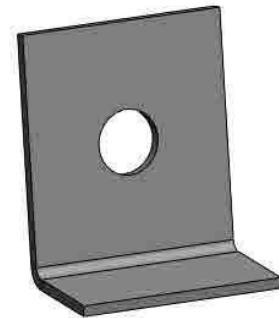
LANYARD

USED TO ATTACH PIN TO PIVOT LEG BRACKET



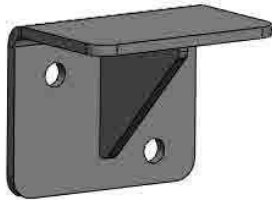
SNAP LOCK PIN

USED TO LOCK PROP IN STOWED POSITION



MOUNTING BRACKET

REQUIRED ON WESTERN STYLE LONGILLS AND INTERLOCKING WHERE PROP SWINGS DOWN

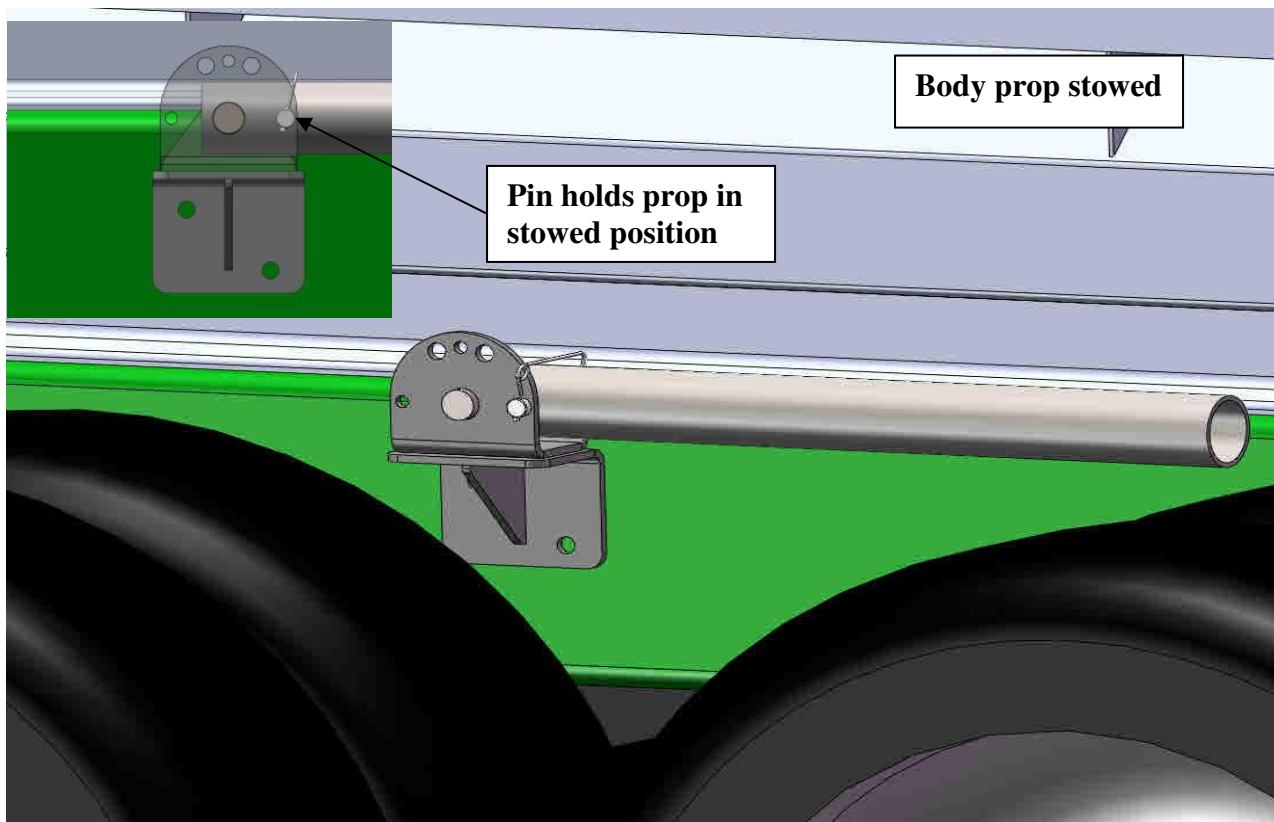
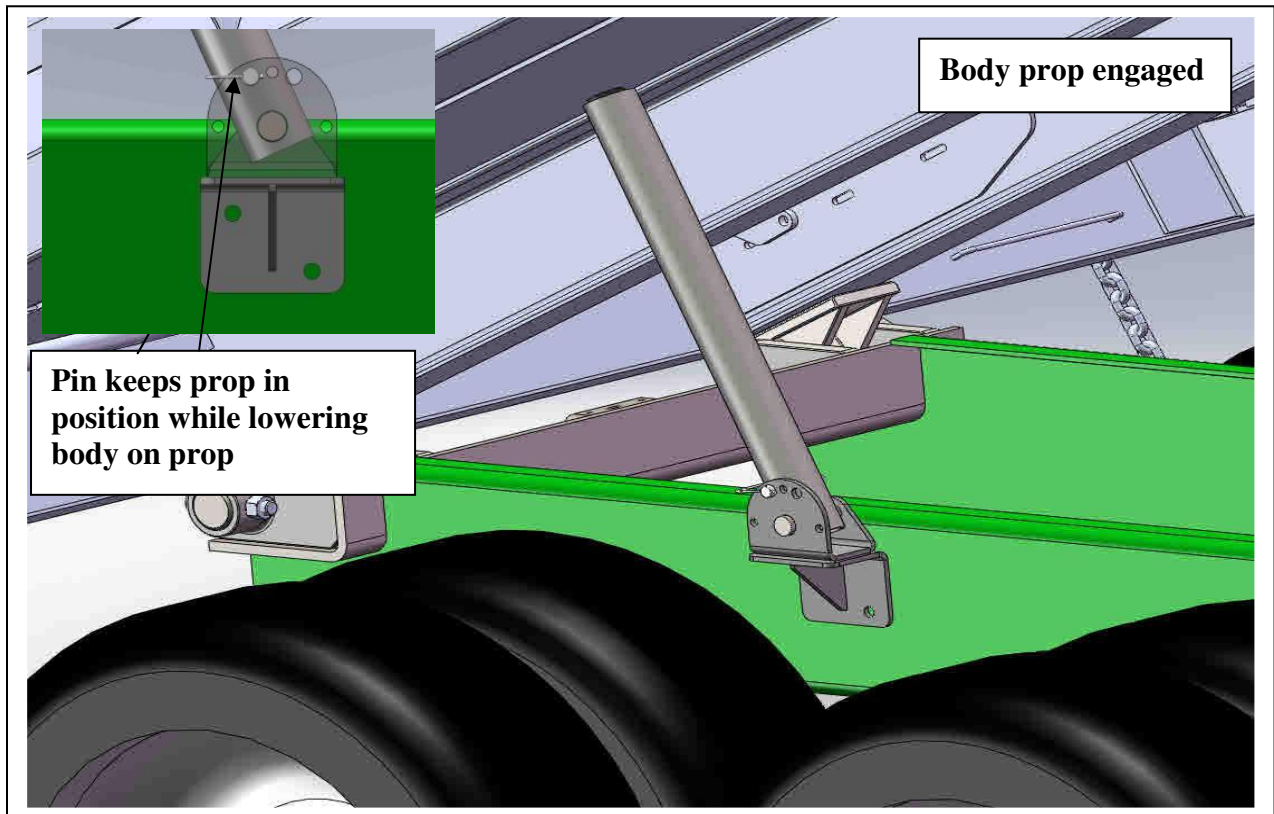


BASE BRACKET

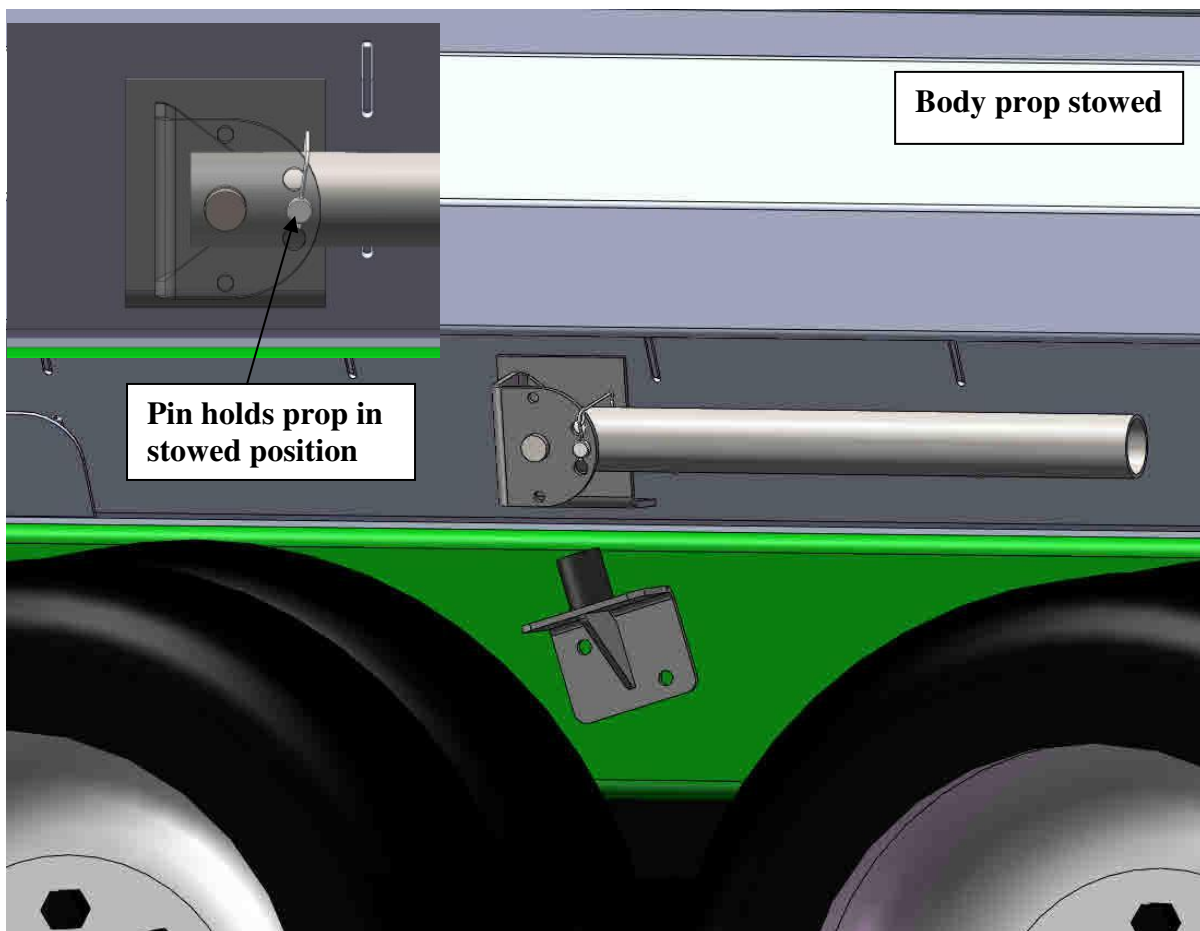
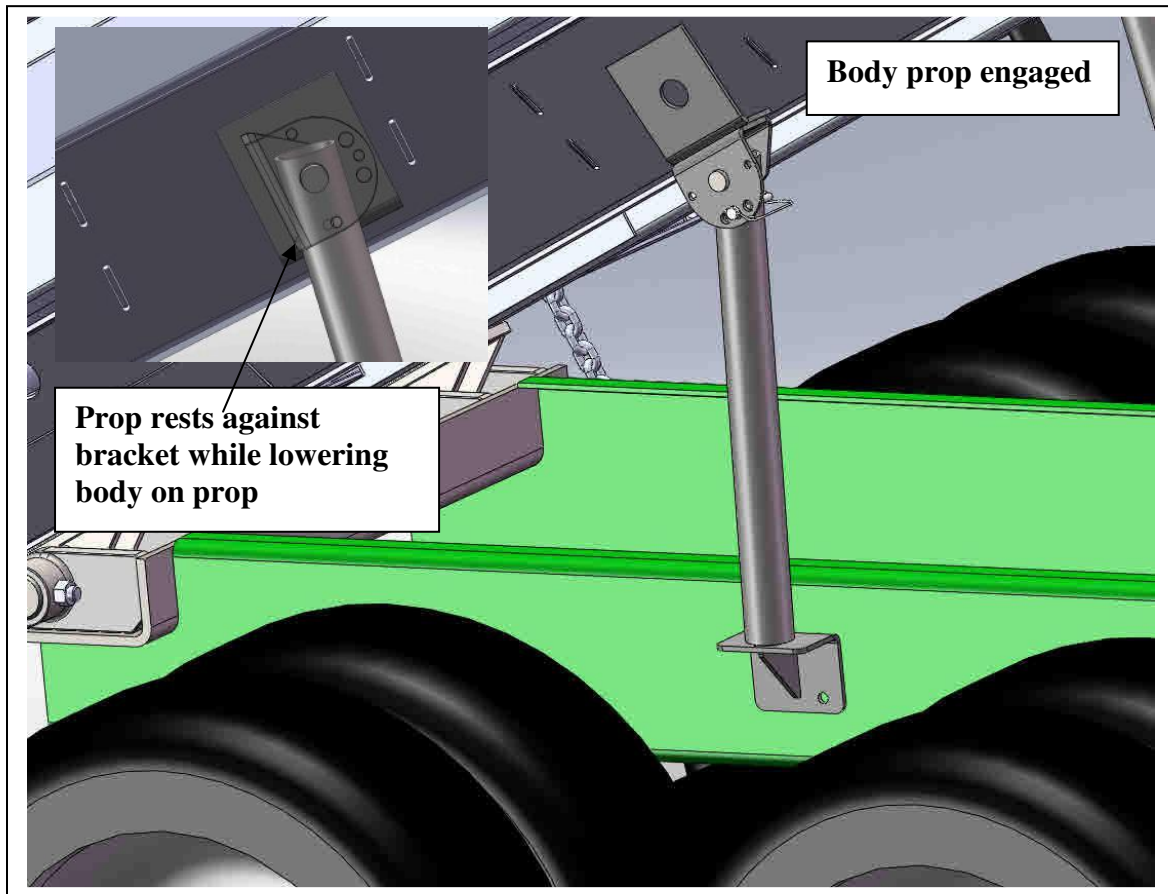
BOLTS TO TRUCK FRAME

In our efforts to continually enhance Crysteel's products and services we have made a change to the body props for dump bodies that incorporate our telescopic hoists. With the various understructures being produced at Crysteel we had multiple body prop designs that caused us and your shop extra handling and inefficiencies. Crysteel's new singular body prop design will now work with any of our body designs.

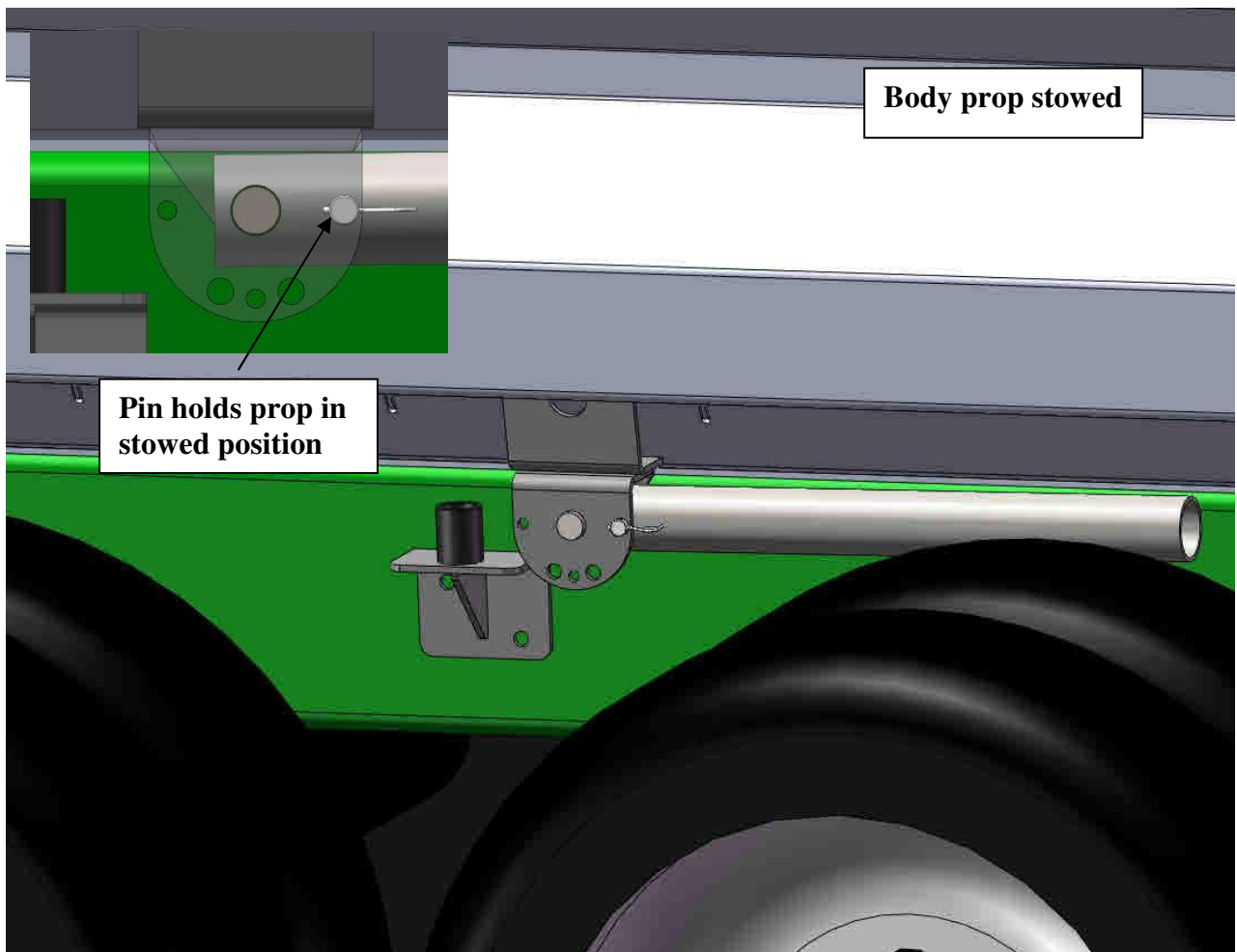
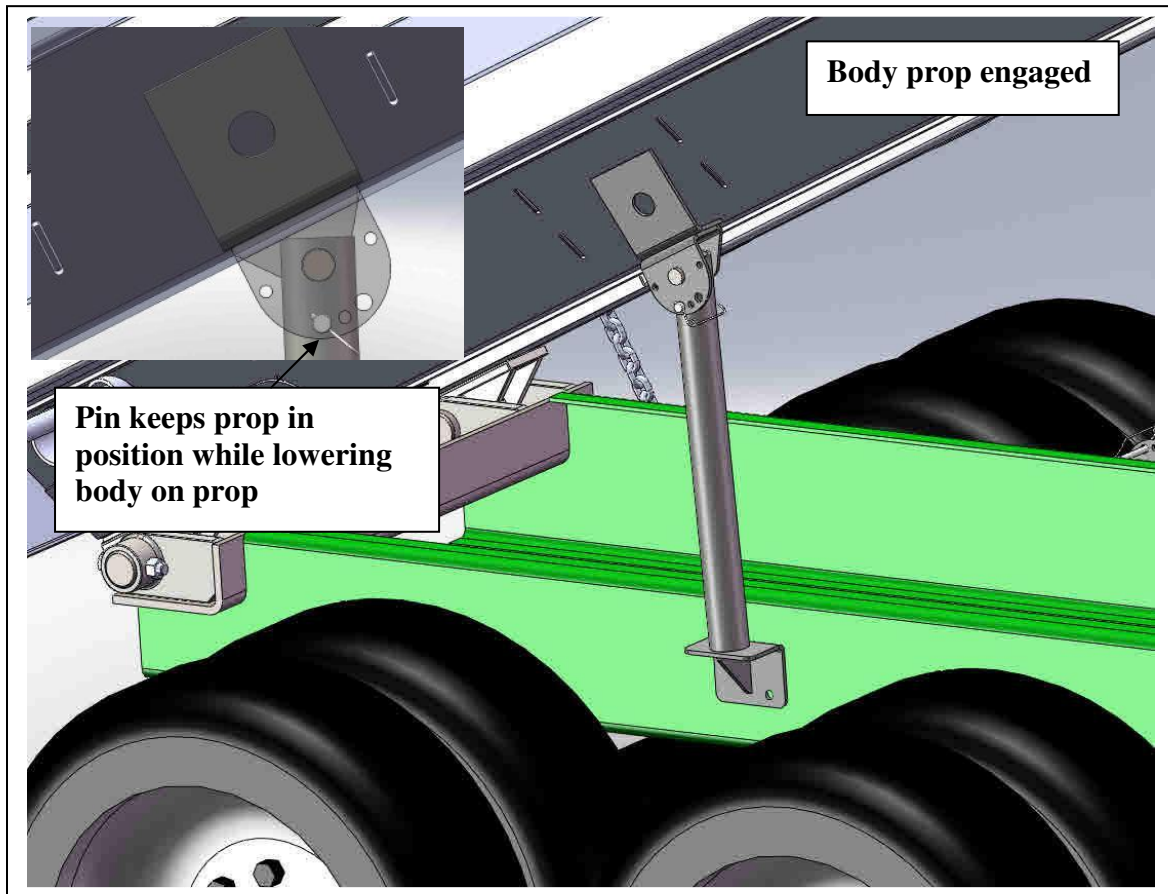
I-beam understructure



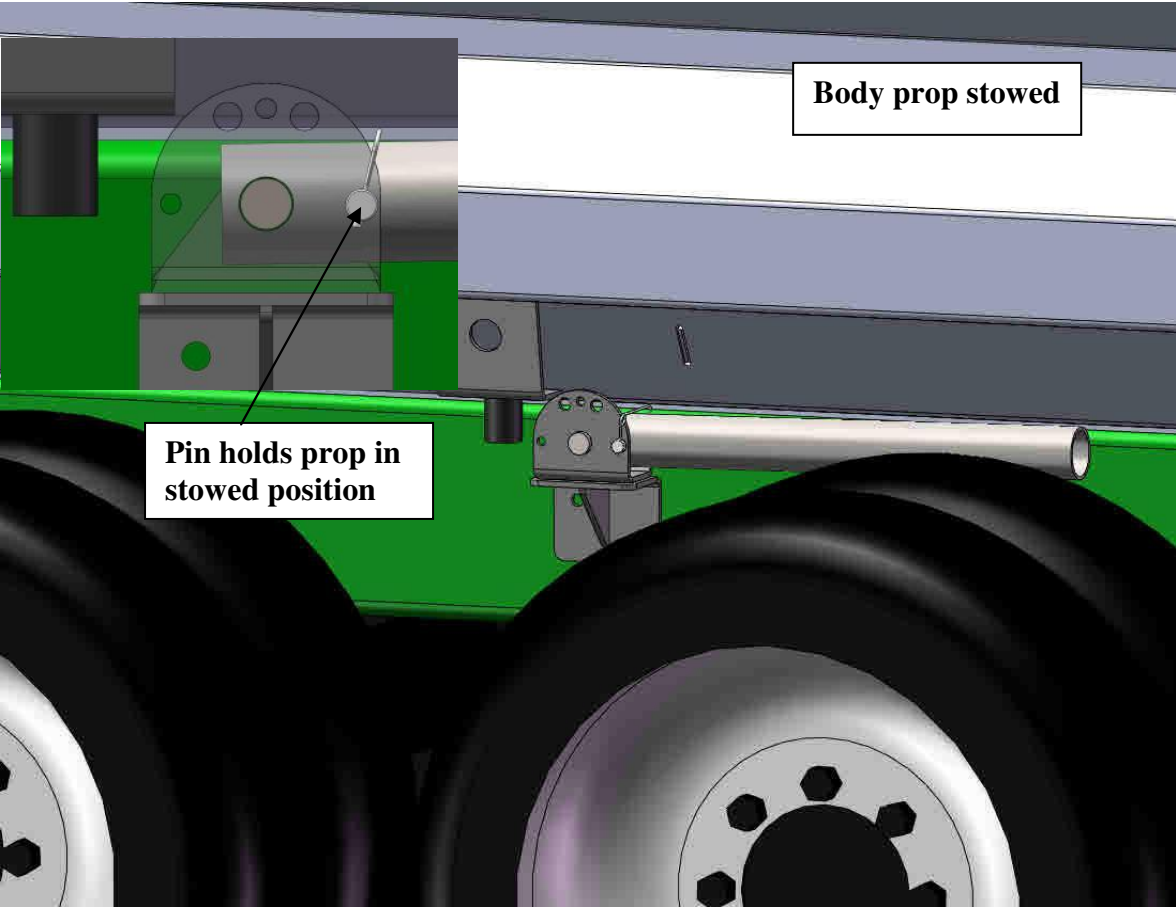
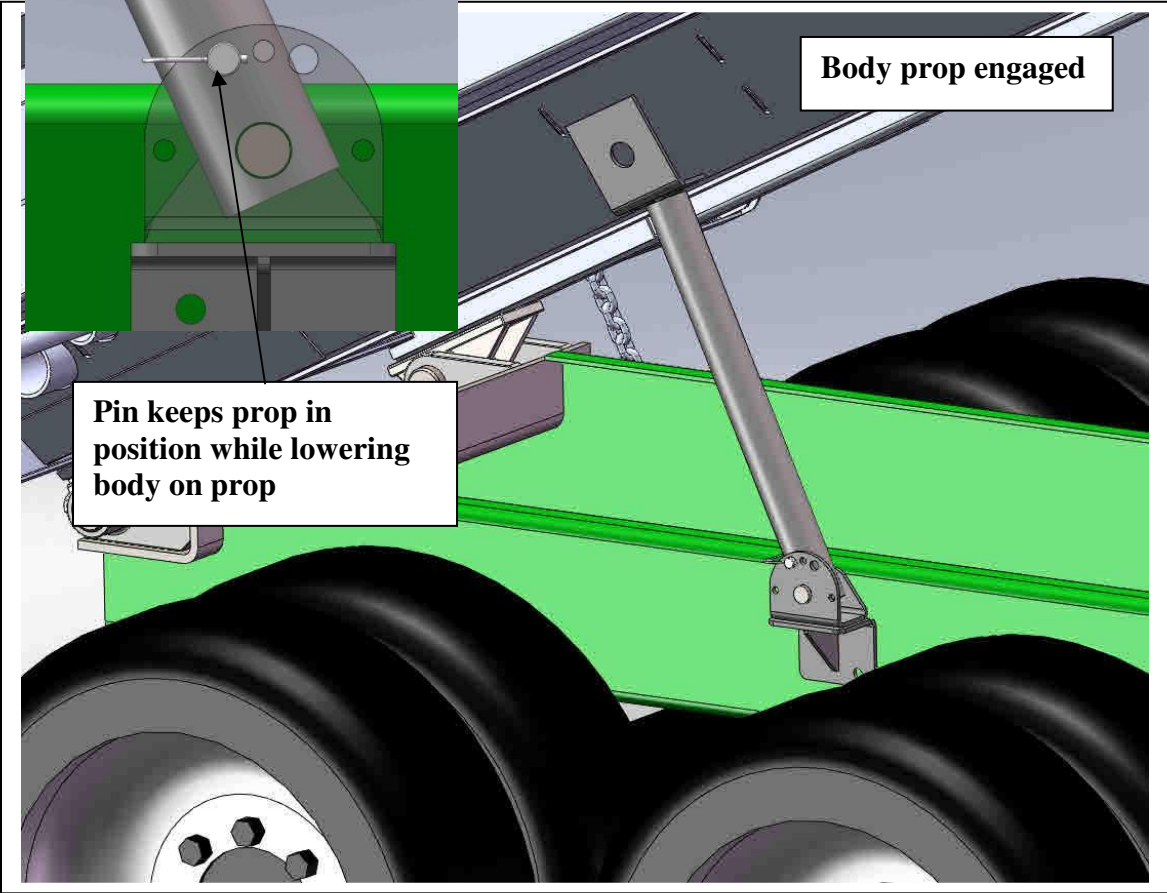
Western tubular understructure (option 1)



Western tubular understructure (option 2)



Western tubular understructure (option 3)



Interlocking understructure

