



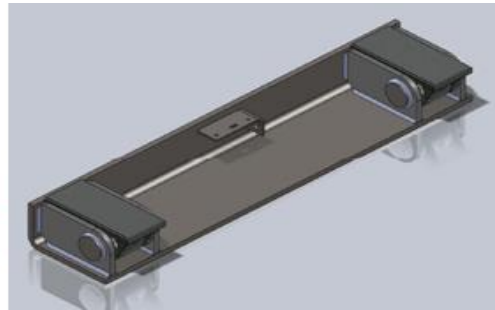
52182 Ember Road
Lake Crystal, MN 56055

800-533-0494
www.CRYSTEEL.com

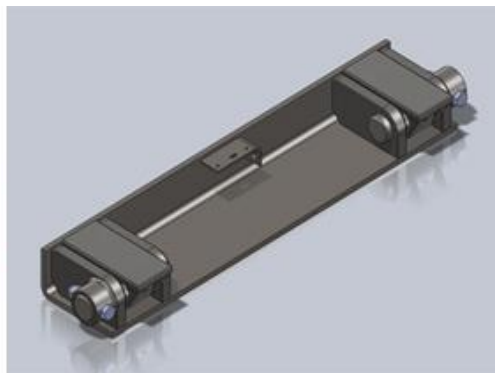
June 21, 2011

In our efforts to continually enhance Crysteel products, we will be making a change to the large rear hinge. Starting in June 2011 the standard rear hinge will change to a fully welded-in pin design (part #1283750). The new hinge will replace part #1621599 (old part #107037).

The new rear hinge, #1283750, will be constructed using strong 50K PSI steel material, but will now be cast rather than fabricated. The automated cast manufacturing process will produce a higher quality hinge by providing better consistency and a tighter fit for mating parts due to tightly controlled manufacturing tolerances. The hinge is designed with heavy duty 1/2" thick structural components, a large 2-1/4" diameter high strength pivot pin and 1/2" thick support base for torsional rigidity. The new rear hinge also features easy to access grease fittings for quick lubrication of pad bushings and a pre-installed universal back-up alarm mounting bracket.



The new standard rear hinge is a weld in pin design. The removable pin design is also available (part #1283746) as an upgrade for \$50.



Please contact your Territory Manager or Crysteel Inside Sales if you have any questions.