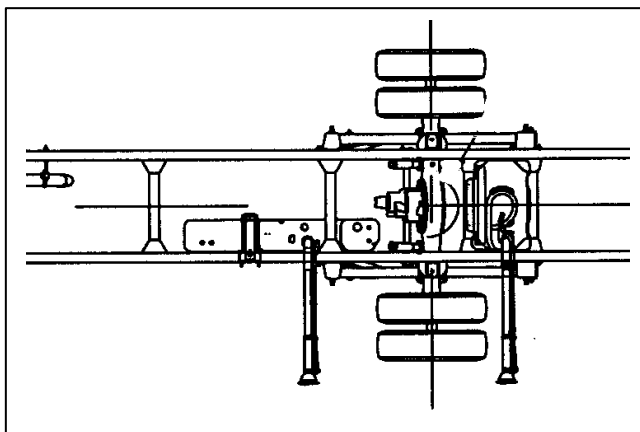


GM Fuel Tank Options

Recently there has been some confusion regarding the GM C4500 & C5500 Kodiak/Topkick. We would like to offer this information to help clarify the correct body applications.

- Crysteel and General Motors recommends either the **single 25 gallon or the dual 25 and 15 gallon tanks** for dumping applications, both platform and dump body.
- Crysteel and GM does NOT recommend a dumping application, whether platform or dump body, to be mounted on with the single rear fuel tank.
- GM's standard tank for trucks with a 60" CA is the **single 25 gallon** mid-ship tank.
- GM's standard tank for trucks with 84" and longer CA's is the single, rear mounted **40 gallon tank**.
- The dual **25/15 gallon tank** option, code NG6, is available for all CA's. (See Figure 1)
- Because the fuel fill tube(s) are routed over the truck frame, Crysteel recommends a subframe hoist for these trucks.

Figure 1
Tank Option NG6



Additional resources can be found on the GM Upfitter website. Visit www.gmupfitter.com for further details.